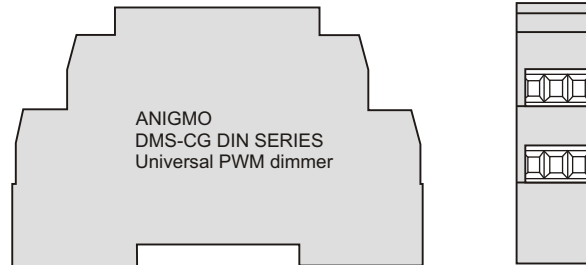


## UNIVERSAL LOW VOLTAGE LED DIMMERS DMS - CG DIN SERIES



### Description

*DMS - CG DIN series universal PWM dimmers are designed for smooth, flicker-free dimming of all constant voltage LED modules, including MR16 bulbs as well as 12V/24V Incandescent/Halogen bulbs*

*DMS -CG DIN series dimmers are ideal LED dimmers for any application which calls for low voltage DC lighting for home as well as commercial and industrial applications. It can be used in recreational vehicles (RV), mobile homes, and other large vehicles, such as buses and trucks where the negative connection is connected to the common ground/chassis.*

*DMS - CG DIN series dimmers include several protection features against common wiring/lamp malfunctions that can protect the installation and can be powered from a DC power supply or batteries. This makes them ideal for use in marine environment such as ships, boats, yachts, sailboats, and boat homes.*

### Features

- Proprietary Adaptive Pulse Modification (APM) PWM delivers flicker-free lighting and extended dimming range
- Smoothly dims any LED, including hard to dim MR16 and G4 lamps across the full (0-100%) dimming range
- Can be connected in a common ground configuration where the negative wire is absent (negative is connected to chassis)
- Excellent dimmer for 12V/24V Incandescent/Halogen bulbs as well
- Superior safety features including Overheating, No-load, Overload, and Short circuit protection with auto restart
- Can be controlled with a variety of input devices including regular wall switches
- Non-volatile memory for dimmer output setting
- Fits onto a standard DIN rail
- Minimum brightness adjusted with a potentiometer
- High efficiency, low power consumption
- Safe and reliable screw terminals

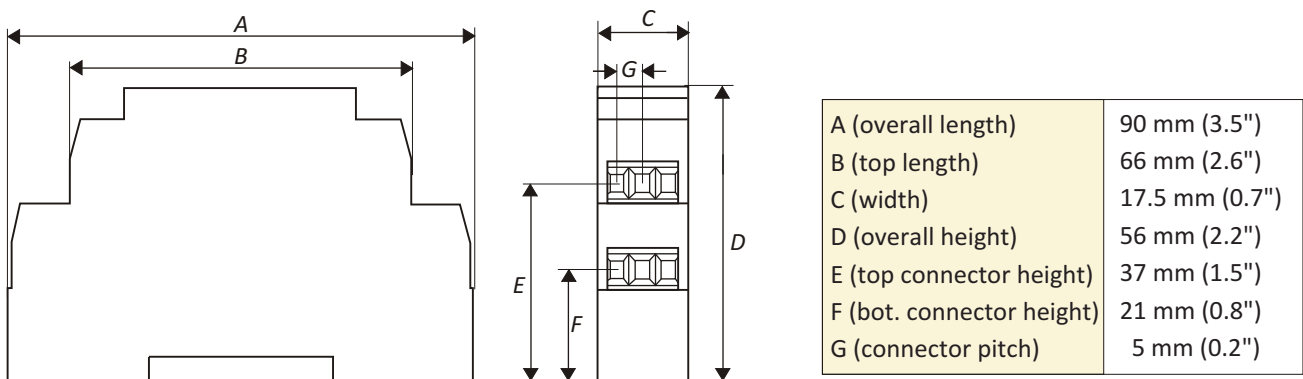
### Applications

- Nautical lighting
- RV / caravan lighting
- Low voltage lighting
- Applications when high reliability and safety of installation is needed
- Dimming of MR16, MR11, G4 and other LED lamps with integrated current controller
- Dimming of incandescent low voltage bulbs
- Dimming of any 12/24V DC constant voltage LED module such as:  
*Flexible and Rigid Strips, Rope Light, Rigid Light Bars, Under-cabinet Lights etc.*

## Specifications

TECHNICAL DATA	DMS-500-CG DIN	DMS-850-CG DIN	DMS-1200-CG DIN
Supply input voltage range nom:	12 - 24 V DC	12 - 24 V DC	12 - 24 V DC
Supply input voltage (min - max):	6 - 30 V DC	6 - 30 V DC	6 - 30 V DC
Supply Input current:	5A	8.5A	12A
Output current max:	5A	8.5A	12A
Output load max:	60W@12VDC / 120W@24VDC	100W@12VDC / 200W@24VDC	144W@12VDC / 288W@24VDC
Control voltage:	1-10 V DC (0V - OFF)		
Control current max:	0.1mA		
Control:	0-10 V controls, Pot 100K Ohm, Dry Contact, Open collector		
Dimming mode:	Adaptive Pulse Modification PWM		
Operating frequency:	390 Hz		
Dimming range:	0-100%		
Dimming resolution:	65 000 steps		
Temperature range:	0 °C to +50 °C		
No-Load proof:	Yes		
Short circuit protection:	Yes, automatic shutoff, reversible		
Overload protection:	Yes, automatic shutoff, reversible		
Overheating protection:	Yes, reversible		
Input and output connections:	Screw terminal for wire 2mm <sup>2</sup> (AWG 14) max.		
Housing dimensions (W x D x H):	17.5mm x 90mm x 56mm (0.7" x 3.5" x 2,2")		

## Dimensions



Connect the unit according to the control signal used (see connection diagrams below).

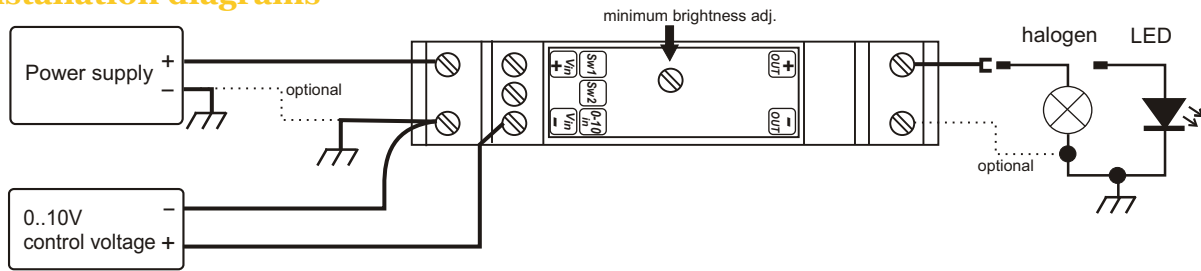
A unit can be mounted on a standard DIN rail.

Sufficient heat dissipation of the device needs to be ensured. The ambient temperature must not exceed 50°C.

Power supply and load wires should have a sufficient diameter to minimize a voltage drop across the wires. If the voltage drop is too large, flickering of the lights and unstable operation is possible.

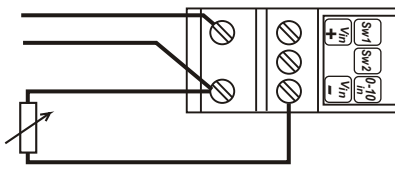
When long supply wires are used, it is recommended that a buffering capacitor of several 10 000µF (low ESR type) of appropriate voltage is used. The capacitor should be connected to the dimmer power supply input. Using a buffering capacitor will also filter and significantly decrease RFI emitted from supply wires.

## Installation diagrams

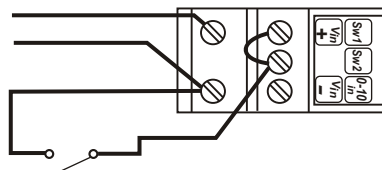


**Wiring diagram for 0-10V control**

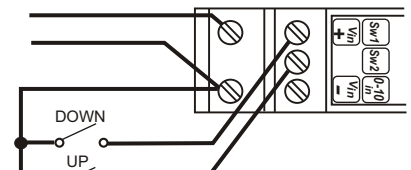
NOTE: negative connection can be routed through common ground (metal chassis) or via negative wire



**potentiometer control**



**single switch control**



**UP/DOWN switch control**

### INSTALLATION CONSIDERATIONS:

Power should be turned off during installation.

All connections should be secure, connector screws should be tightened.

After connecting the wires, turn the power on. Set the dimmer to the lowest setting. Using minimum brightness control trimmer, set the desired minimum brightness.

### INPUT SIGNAL CONSIDERATIONS:

If using 0-10V control, make sure that the negative wire of the 0-10V control is not shared (take the same path) with power negative. The 0-10V negative should be connected as close as possible to the dimmer.

Wires (especially negative wires) should be connected in such a way to avoid large ground loops.

If ground loops can't be eliminated, an SDU signal conditioning unit should be used (see SDU signal conditioning unit for connection diagrams).

The source of the 0-10V control signal should be stable.

### OUTPUT CONSIDERATIONS:

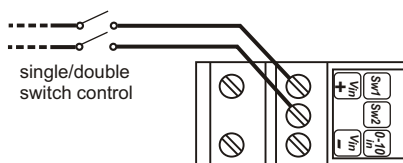
Output wires should be as short as possible. If possible, connect the dimmer close to the load.

If mounting the dimmer close to the load is not possible, make sure that positive and negative load wires do not form a large loop area. Load wires should run as close as possible to reduce EMI.

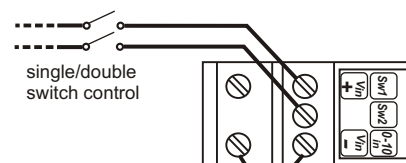
For further reduction of EMI, positive and negative load wires can be twisted or shielded and grounded cable can be used.

## Power-on output state selection

When the dimmer is powered on or when it loses power for a short time it sets its output to the power-on state. This state depends on the control used. If controlled by 0-10V voltage or 100k potentiometer the power-on state is set by voltage/resistance on its 0-10V input. If the dimmer is controlled by momentary switches the power-on states can be selected by following connections:



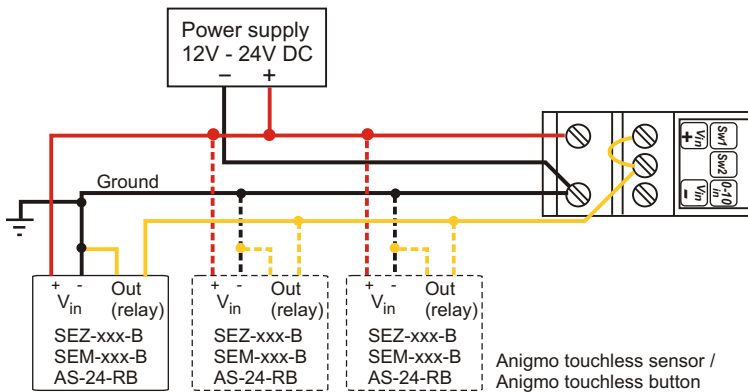
Dimmer goes to the "last set state" stored in the non-volatile memory at power on/power loss.



Dimmer remains "off" at power on / power loss

## Application notes

### using ANIGMO touchless sensor/button to control DMS-CG DIN universal dimmer

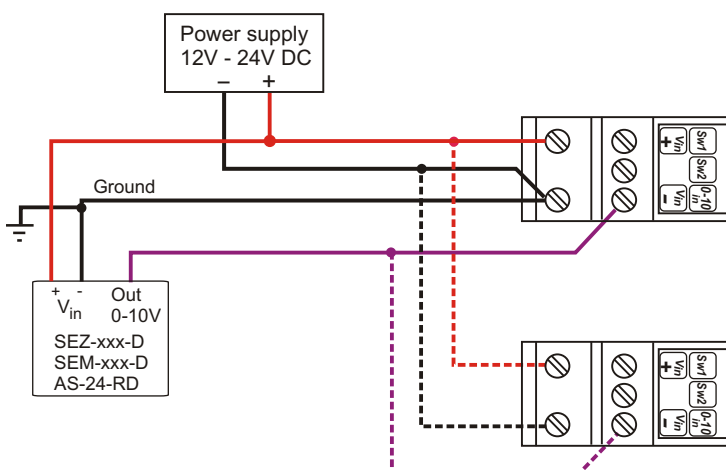


Any touchless sensor or button with relay or OC output can be used to control a DMS-CG DIN series universal dimmer.

Multiple sensors can be connected in parallel to control a single dimmer.

Mechanical push buttons and touchless sensors with a relay or OC output can both be connected in parallel to control a single dimmer. Do not control multiple DMS-CG DIN dimmers with a single push-button or touchless sensor (with a relay or OC output). To control multiple DMS-CG DIN dimmers, use a 0-10V control signal.

### using ANIGMO touchless sensor with 0-10V output to control DMS-CG DIN universal dimmer



Any touchless sensor or button with 0-10V output can be used to control a DMS-CG DIN series universal dimmer.

Multiple DMS-CG DIN series dimmers can be controlled by a 0-10V signal.

**IMPORTANT:** Outputs of multiple DMS-CG DIN dimmers should NEVER be connected in parallel, even if they are controlled by a common control signal.