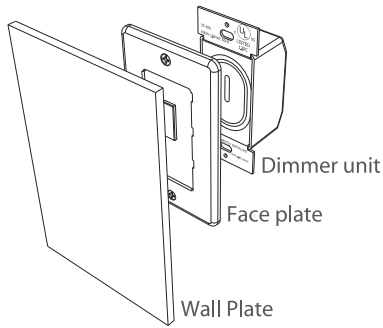
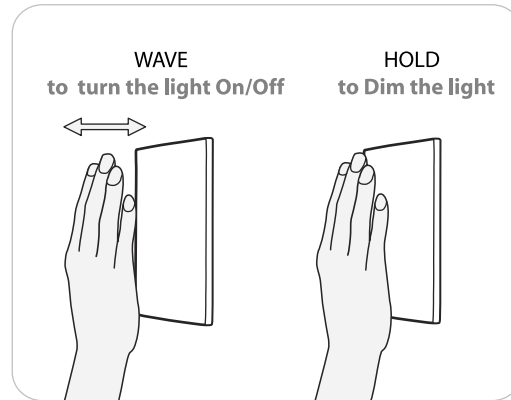


ANIGMO

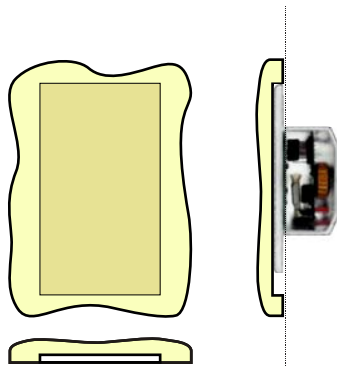
Touchless Dimmer Switch



BASIC OPERATION

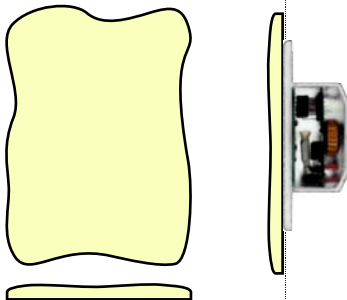


3 WAYS TO INSTALL ANIGMO DIMMER



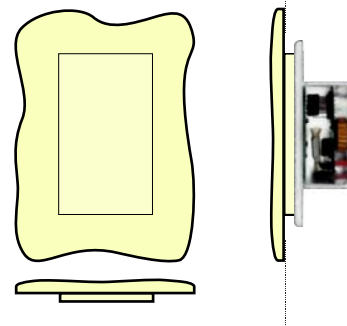
1. Conventional Installation

The control unit is installed like a regular switch with the face plate resting on top of the wall surface. A cutout is required on the back side of the Wall Plate to achieve a snug fit.



2. Flush Installation

The control unit is installed with the face plate flush with the wall surface. Wall Plates do not require any cutout on the back side. Any generally flat object can be used as a Wall Plate.



3. Recessed Installation

The control unit is installed with the face plate recessed relative to the wall surface. This situation is very common when working with thicker wall coverings such as tile, stone or wood.

ANIGMO

Touchless Dimmer Switch

Incandescent / Low Voltage Magnetic Dimmer Switch
 Model No. Anigmo ST2-600, ST2-600M, ST2-600LVM, ST2-S
 120VAC, 60Hz

UL File# E237047

Important notes

CAUTION:

1. Read and understand these instructions before installing device. Before installing this unit, disconnect power at circuit breaker or remove fuse to avoid shock or damage to the unit. This device is intended for installation in accordance with the National Electric Code and local regulations. It is recommended that a qualified electrician perform this installation.
2. a: for dimmers controlling a tungsten-filament – “to reduce the risk of overheating and possible damage to other equipment, do not install to control a receptacle, a motor-operated appliance, a fluorescent lighting fixture, or a transformer-supplied appliance;”
 b: for dimmers controlling a low-voltage transformer – “to reduce the risk of overheating and possible damage to other equipment, do not install to control a receptacle or a motor-operated appliance.”
3. Single gang installation only.
4. Installation of this switch in proximity of strong EM (electro magnetic) interference such as (and not limited to): electrical welding machine, inadequately shielded power supplies, radars etc. could cause inadvertent switch activity.
5. This switch may not be used in any application in which the inadvertently changing the switch state could create a situation where personal injury or death may occur.
6. Do not use where total load wattage is less than 40W (40 VA).
7. Do not install in combination with standard 3-Way switches or third party remote control units. Use only in combination with Anigmo S remote unit.

Contact

Anigmo
 1040 Avenue of the Americas
 New York, 10018 NY
 Tel: 1 800 749 0518
 Fax: 1 800 749 0519
 Email: support@anigmo.com www.anigmo.com

Warranty

Anigmo will, at its opinion, repair or replace any unit that is defective in materials or manufacture within 5 years after purchase. For warranty service, return the unit to place of purchase. This warranty is in lieu of all other warranties, expressed or implied, and the implied warranty of merchantability is limited to 5 years from purchase. This warranty does not cover the cost of installation, removal or reinstallation, or damage resulting from misuse, abuse, or damage from improper wiring installation. This warranty does not cover incidental or consequential damages. This warranty gives you specific legal rights, and you may have other rights which may vary from state to state. Some states do not allow the exclusion or limitation of incidental or consequential damages or limitation on how long an implied warranty may last, so the above limitations may apply to you. This product is covered under US patents: 6750564. Foreign patents pending.

*Load ratings

Dimmer type	Load type Incandescent / Line volt. halogen	Low volt. magnetic
Anigmo ST2-600	600W	DO NOT USE
Anigmo ST2-600M	600W	DO NOT USE
Anigmo ST2-600LVM	600W	600VA / 450W
Anigmo ST2-S	N/A	N/A

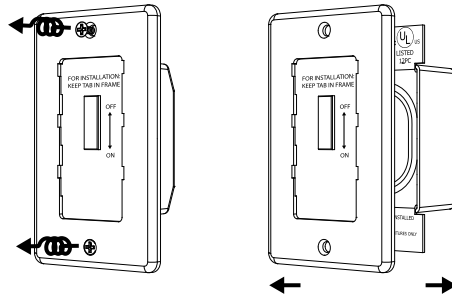
INSTALLATION

1. **WARNING:** Turn power OFF at circuit breaker or remove fuse

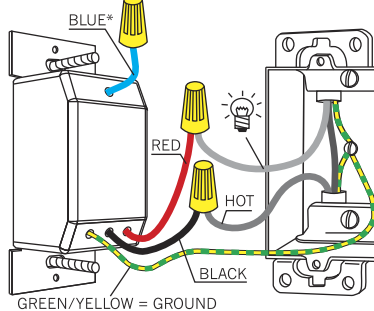


2. Remove Existing switch from wall box.

3. Prepare the unit for installation by removing the two faceplate screws and the faceplate itself.



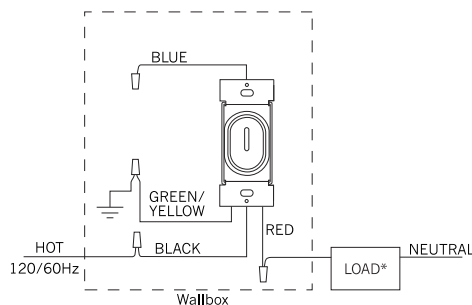
4. Connect wires as shown. Refer to wiring diagrams.
IMPORTANT!!! - Make sure black wire is connected to HOT in the wall box.



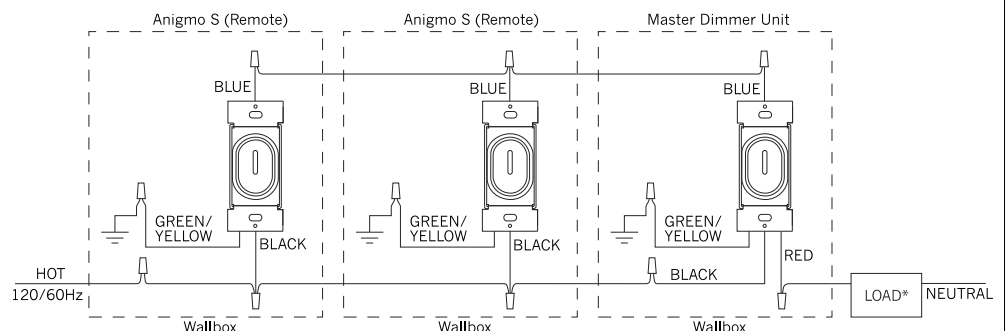
ST2-600, ST2-600M, ST2-600LVM

**Model Anigmo 600 does not have a BLUE wire*

SINGLE LOCATION CONTROL

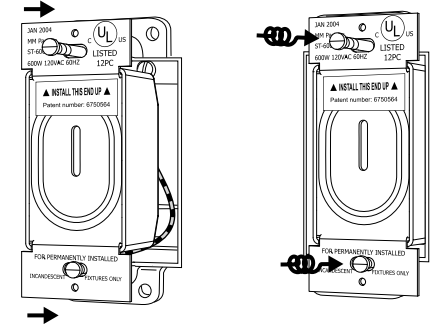


MULTI LOCATION CONTROL

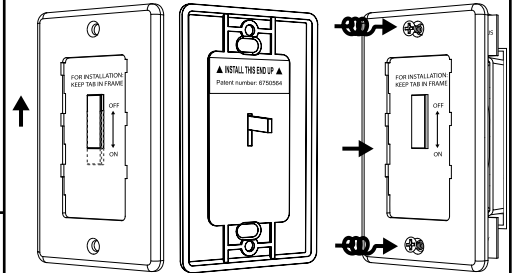


*See Load ratings for more informations

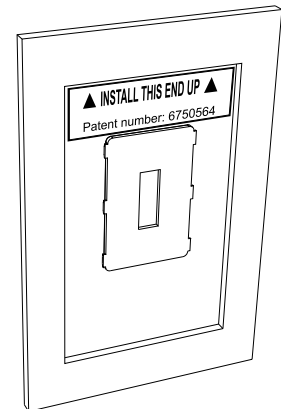
5. Mount unit into wall box, align before tightening the screws



6. Before installing faceplate make sure tab is in the OFF (upper) position and arrows are pointing UP. Caution: Do not overtighten mounting screws.



7. To install Decorator Wall Plate and activate the Dimmer unit



1. Make sure the tab is in OFF (UP) position.
2. Make sure that arrows on Decorator Wall Plate are pointing up.
- 3 Push Decorator Wall Plate against faceplate until it snaps in then slide it down approx. 1/2".
4. Remove hand away from the Dimmer unit, wait 10 seconds.
5. To deactivate the Dimmer unit simply slide the Decorator Wall Plate up.

8. Restore power at circuit breaker